

Dupont

B&T



Dupont

Chair - Lounge - Bar Stool

Indoor



Dupont

Chair - Lounge - Bar Stool

Indoor



Dupont

Chair - Lounge - Bar Stool

Indoor

Dupont

Meet the Dupont Series! Created by the perfect combination of simplicity and practicality of use, it takes its power from the simple language in its design finalized through meticulous workmanship.

Dupont

Chair - Lounge - Bar Stool

indoor





Featuring three different models; chair, lounge and bar stool, the Dupont Series with its refined lines makes the feeling of comfort a part of the experience from the first moment by harmonizing with the body structure when the customers lean back.

Dupont

Chair - Lounge - Bar Stool

Indoor

Designer

Alp Nuhođlu - 2020

Dupont

Chair - Lounge - Bar Stool

Indoor





Dupont

Chair - Lounge - Bar Stool

Indoor

Product Details



The three models in the series as fabric and paper chairs with metal legs matching with six different sitting areas offer countless design alternatives with colour options on the colour chart.



Easily stackable, as well as enduring, long-lasting and stylish, the series provides a practical usage opportunity in cafés, restaurants, meeting rooms or in any space where people would like to easily pull up a chair and sit.



Dupont

Chair - Lounge - Bar Stool

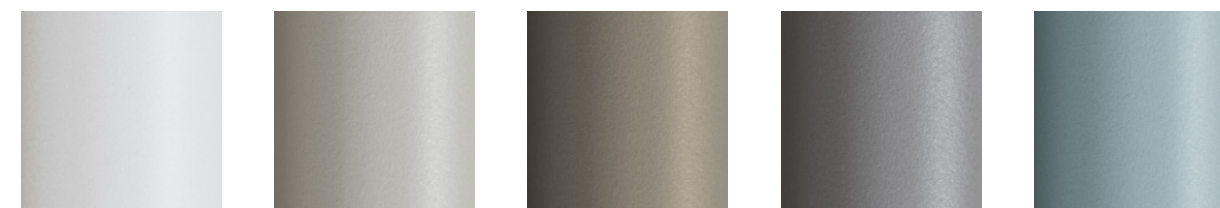
Indoor

Finish Options

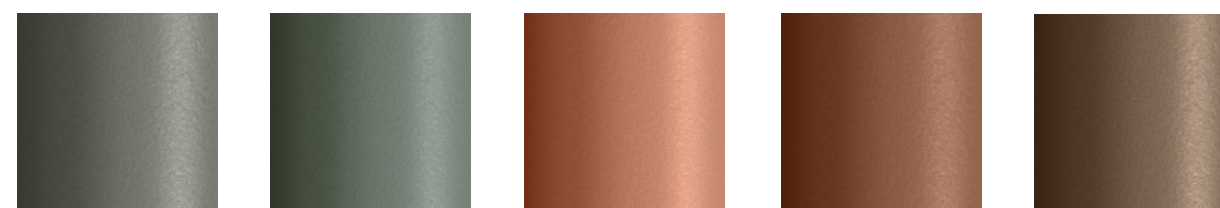
A rich range of material choices is provided for Dupont series to create the best match within interior style.

Metal Leg Finishes

Electrostatic Powder Coating



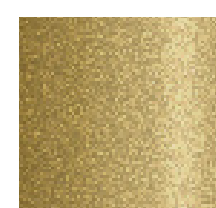
White RAL 9016 Silk Grey RAL 7044 Precious Sand Taupe G 876 Nordic Lichen



Green Grey RAL 7009 Cement Grey RAL 7033 Beige Red RAL 3012 Terracotta RAL 8004 Pale Brown RAL 8025



Black Red RAL 3007 Grey G 458 Anthracite RAL 7016 Black RAL 9005 Bronze



Gold

Wood Finishes



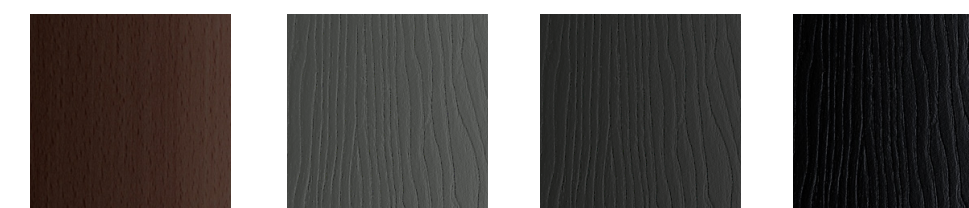
White RAL 110-1 (Ash) Natural (Ash) Silk Grey RAL 7044 (Ash) Taupe G 876 (Ash) Smoke Grey (Ash)



Cement Grey RAL 7033 (Ash) Green Grey RAL 7009 (Ash) Nordic Lichen (Ash) Beige Red RAL 3012 (Ash) Terracotta RAL 8004 (Ash)



Precious Sand (Ash) Light Brown (Ash) Pale Brown RAL 8025 (Ash) Dark Brown (Ash) Black Red RAL 3007 (Ash)



Walnut (Ash) Grey G 458 (Ash) Anthracite RAL 7016 (Ash) Black RAL 9005 (Ash)

Upholstery

Fabric, Leather, Artificial Leather. COM and COL options are also available

Chair

textile fabric (mt)	0,85
real leather (m ²)	2

Lounge

textile fabric (mt)	1
real leather (m ²)	1,4

Bar Stool

textile fabric (mt)	0,8
real leather (m ²)	1,12

More options are downloadable in the catalogues



Models of Product

Chair

Plain



Upholstered



Models of Product

Lounge

Plain



Upholstered



Models of Product

Bar Stool

Plain



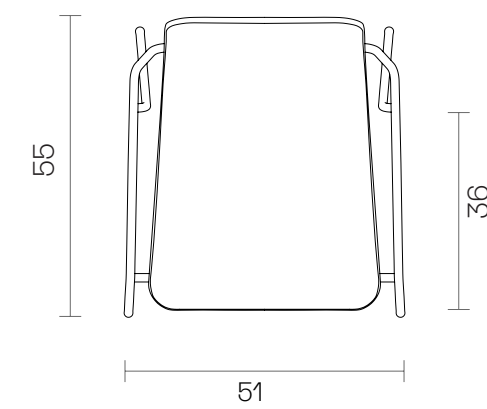
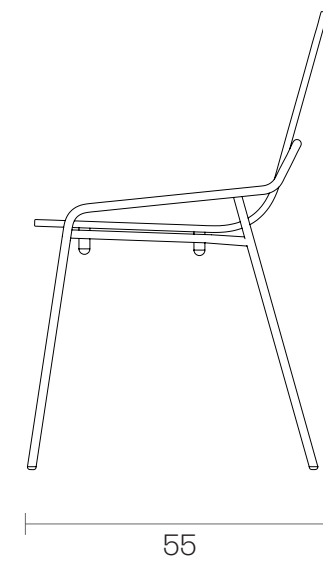
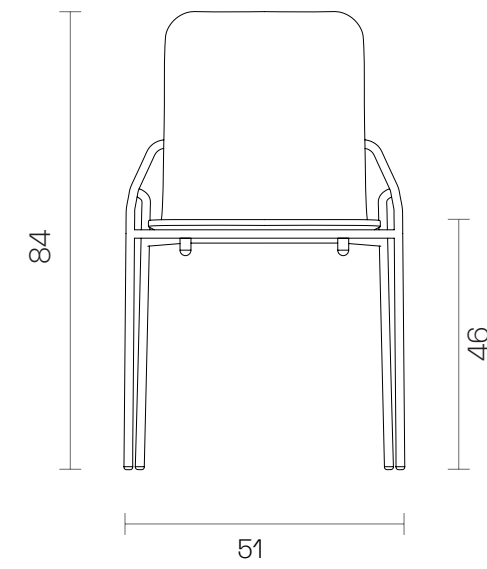
Upholstered



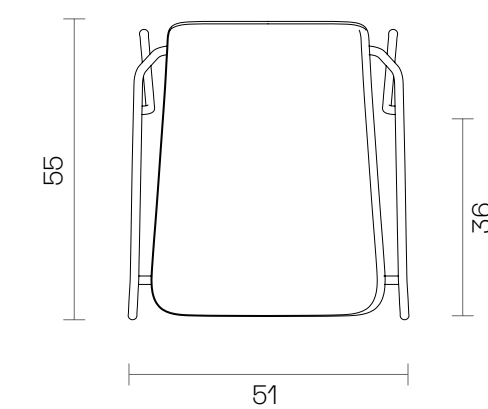
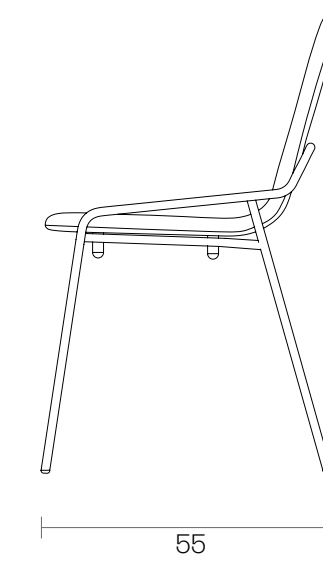
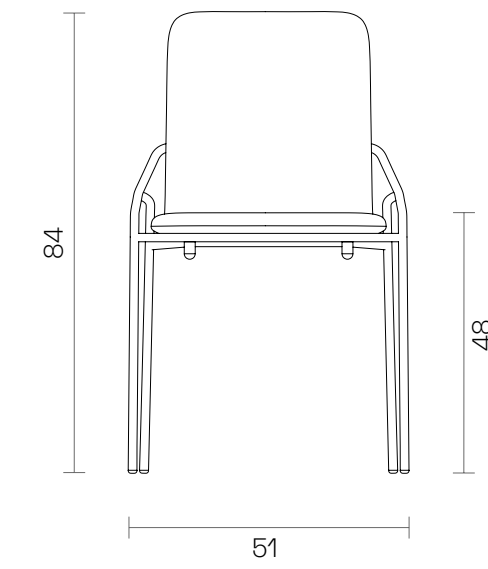
Dimensions (cm)

Chair

Plain



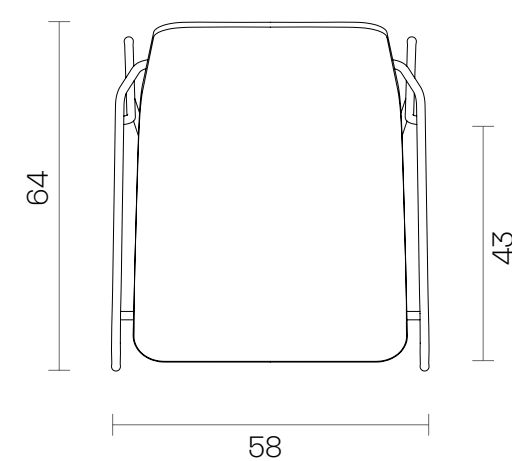
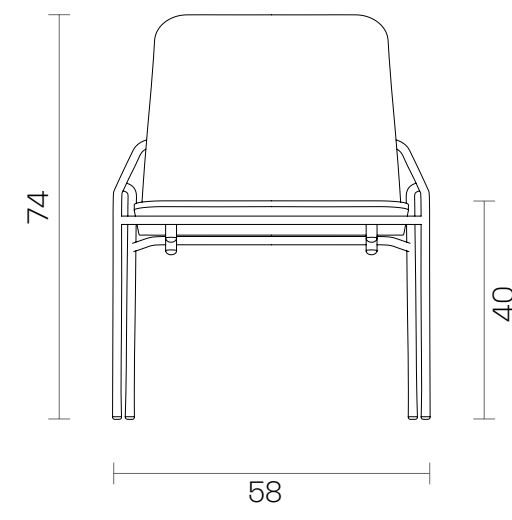
Upholstered



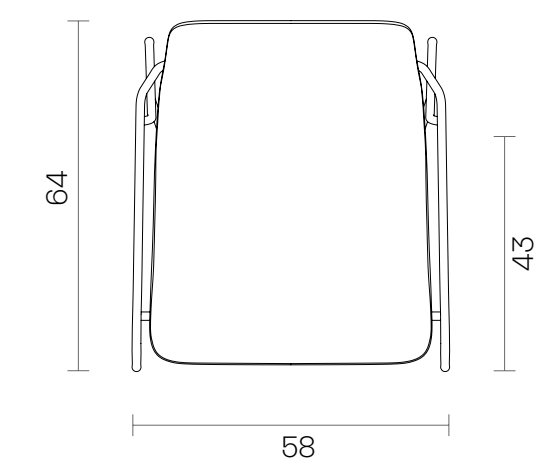
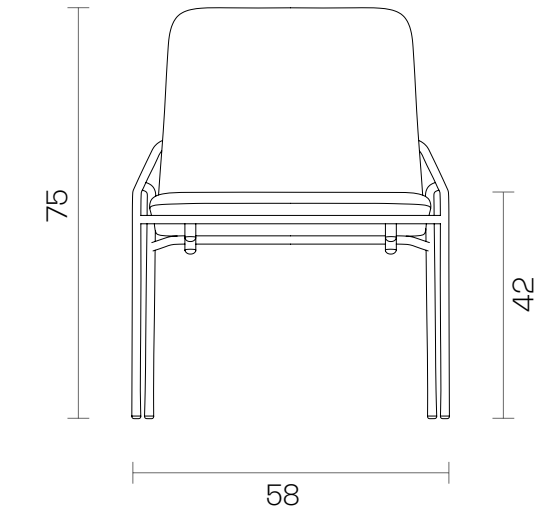
Dimensions (cm)

Lounge

Plain



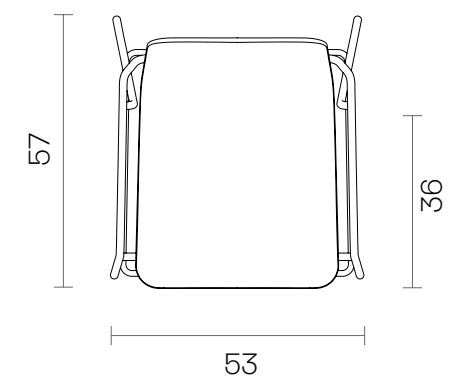
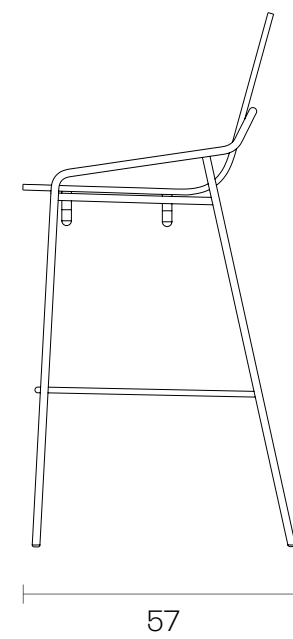
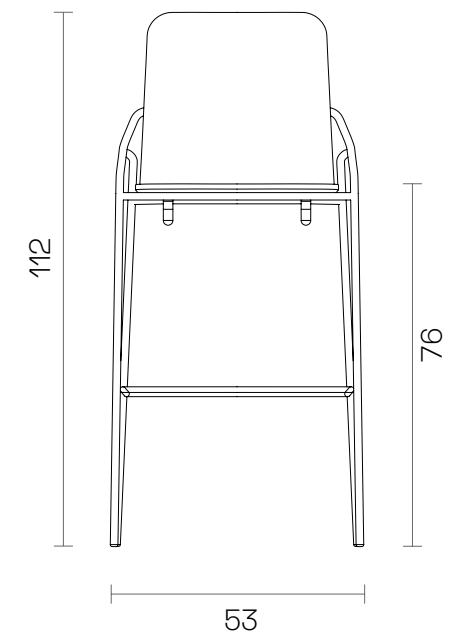
Upholstered



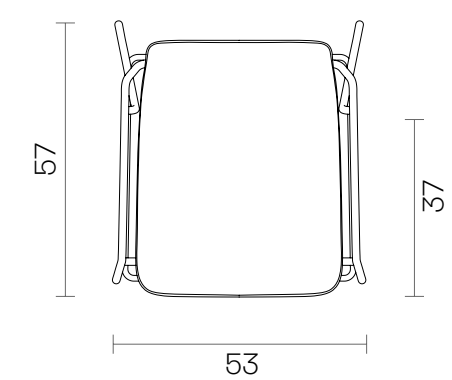
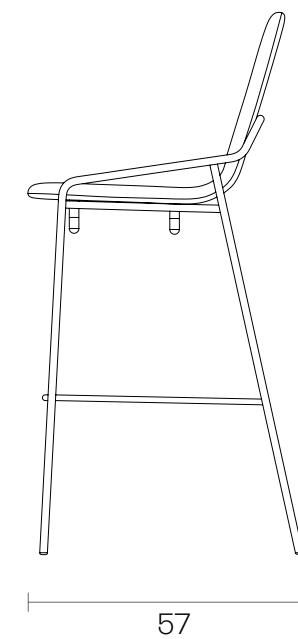
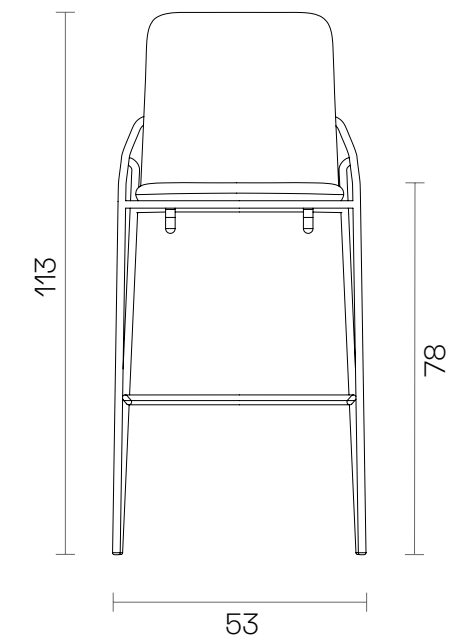
Dimensions (cm)

Bar Stool

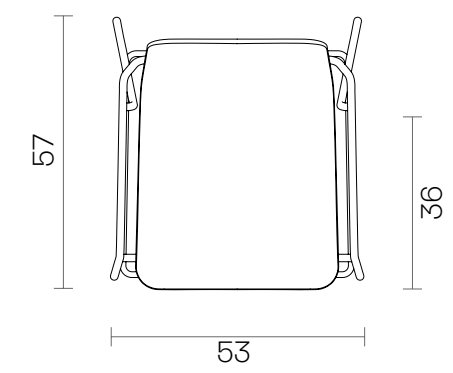
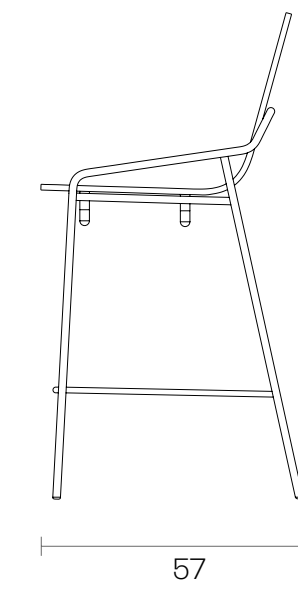
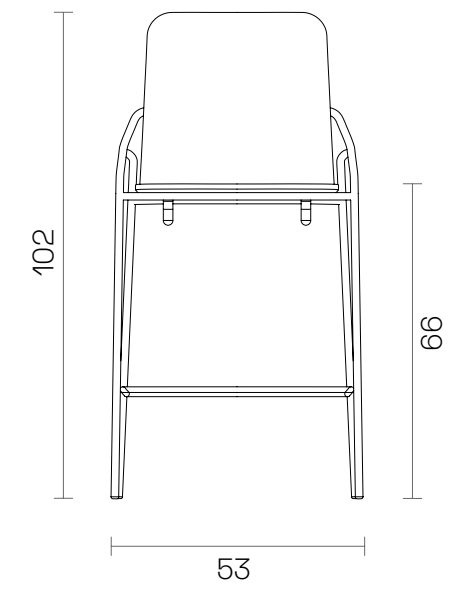
Plain



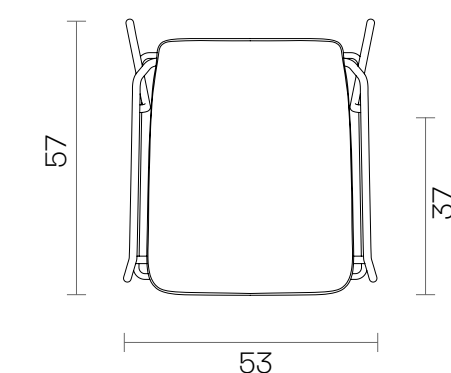
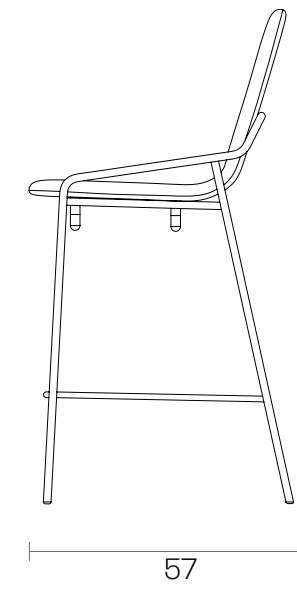
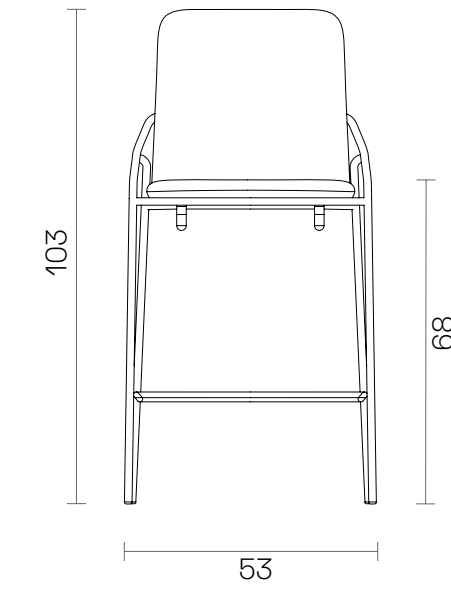
Upholstered



Kitchen Plain



Kitchen Upholstered



Downloads

2D & 3D FILES 

PRODUCT IMAGES 

CERTIFICATES 



You can run this product with following system:





Dupont

Chair - Lounge - Bar Stool

Indoor

Technical Specifications		Chair
Package Dimensions (cm)	Plain Upholstered	65x70x95 quantity in box: 2 65x70x95 quantity in box: 2
Volume (m³)	Plain Upholstered	0,43 0,43
Weight (kg)	Plain Upholstered	6,2 7,5
Seat / Back	12 mm Plywood	
Base	Plain Upholstered	
Strackable	 5	Stacking is not recommended for upholstered
	 12	

Technical Specifications		Lounge
Package Dimensions (cm)	Plain Upholstered	69x63x84 quantity in box: 2 69x63x84 quantity in box: 2
Volume (m³)	Plain Upholstered	0,36 0,36
Weight (kg)	Plain Upholstered	14,5 15
Seat / Back	12 mm Plywood	
Base	Plain Upholstered	Metal Tube + Electrostatic Powder Coated
Strackable	 5	Stacking is not recommended for upholstered
	 12	

Plain: No upholstery, UP: Upholstered

Technical Specifications		Bar Stool
Package Dimensions (cm)	Bar Upholstered Bar Kitchen Upholstered Kitchen	60x56x115 quantity in box: 1 60x56x115 quantity in box: 1 54x54x105 quantity in box: 1 54x54x105 quantity in box: 1
Volume (m ³)	Bar Upholstered Bar Kitchen Upholstered Kitchen	0,39 0,39 0,31 0,31
Weight (kg)	Bar Upholstered Bar Kitchen Upholstered Kitchen	5,5 6 5 5,5
Seat / Back	10 mm Plywood + HR Foam	
Structure	Bar Upholstered Bar Kitchen Upholstered Kitchen	Solid Ashwood + Metal + Electrostatic Powder Coated

CARE AND MAINTENANCE



Care and maintenance instructions & warranty certificate **click and download**



www.bt.design

Showroom

Istanbul
istanbul@bt.design

Ankara
ankara@bt.design

London
london@bt.design

Factory

Istanbul
fabrika@bt.design

Bulgaria
europa@bt.design

Export

export@bt.design